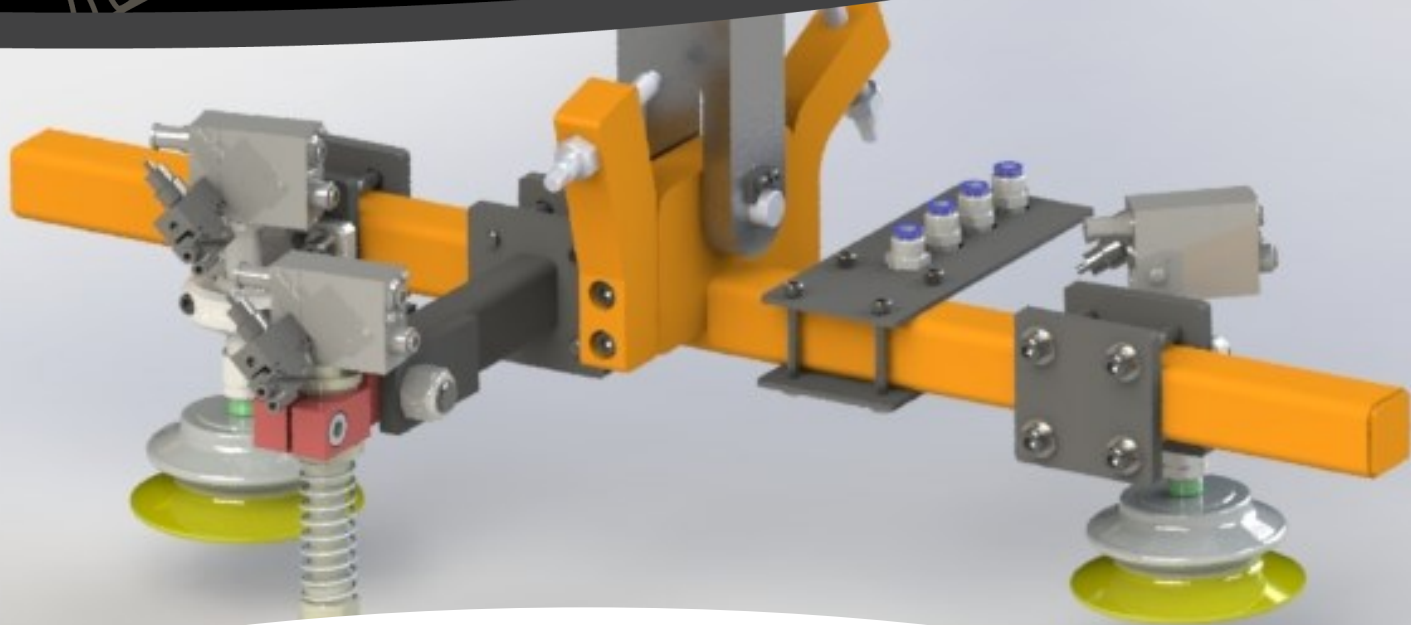




POWERBUILT



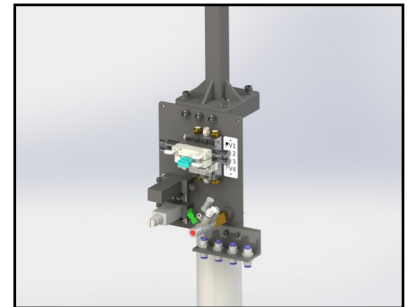
Windshield Vacuum Assist



- * Two-pendant safety control
- * Ergonomically designed control height



- * Windshield drop prevention in the event of plant air loss
- * End tool compliance for multiple placements



- * Vacuum confirmation for windshield security
- * Pneumatic tooling

LEARN MORE AT POWERBUILT.NET

CONTACT US:

PowerBuilt Material Handling Solutions, LLC

937.592.5660

Solutions@PowerBuilt.net