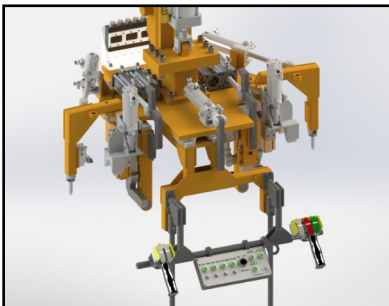




# POWERBUILT

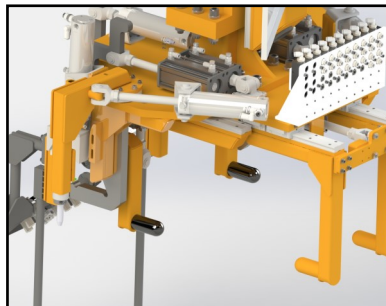


## *Rear Suspension Torque Tube*

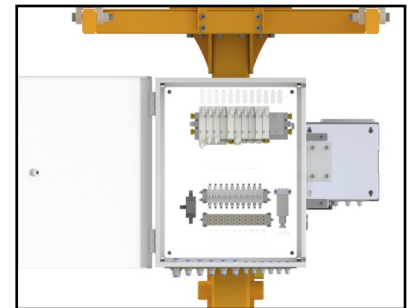


### PROBLEM

- \* *New model change activity*
- \* *Pallet location features differentiation*
- \* *Accommodate (4) models*



- \* *Torque tube design*
- \* *Ability to add (1) new model in the future*
- \* *Safety set down/part present switches*



### SOLUTION

- \* *Pneumatic controls package*
- \* *Pneumatic switchboard panel for operators*
- \* *Adjustable carriage mount*

LEARN MORE AT [POWERBUILT.NET](http://POWERBUILT.NET)

### CONTACT US:

*PowerBuilt Material Handling Solutions, LLC*  
*(937) 592-5660*  
*Solutions@PowerBuilt.net*